

Fragments with the same decoration from the Saalburg<sup>18</sup> are in the site museum, and there are both jars and flasks in the Cologne collections with these pincer-made dots on them, but unfortunately undated.

The period A.D. 150–250 is clearly indicated for this beaker and it is impossible to be more precise.

Found in a layer of ash between the piers projecting from the east flue sealed by the later cement floor.

*b.* Base in greenish glass with striations and bubbles; unusually thick blob of metal left in the centre of base when the pontil was broken away. It is part of a 4th century beaker found in Britain at such sites at Winthill, Silchester, Glaston (*Ant. Journal*, XXX, p. 73), and in the cemeteries in the middle Rhineland. It develops into the cone beaker of the 5th–7th centuries.

From the upper layer of rubble in Ditch B.

*c.* The same. They could have been a pair. The fragment of the side has faint wheel cut lines round it.

From the upper layer of rubble in Ditch A, south section.

*d.* Opaque blue glass fragment, thicker and finished off smoothly at the upper edge; one side is rough as though there had been a second parallel strand joined to it. Probably a handle, though it is not possible to hazard a guess as to the type of vessel or its date. Blue glass is most common in the 1st or the 3rd century.

From Ditch A, south section, the black layer associated with the east stoke-hole.

*e.* Biconical blue bead, broken at one end. These are common in the Roman period but I cannot give a date.

From the fill of Ditch A, west section.

#### THE SAMIAN (Fig. 39)

By B. R. HARTLEY, M.A., F.S.A.

*a.* Part of the wall of a form 37 bowl with freestyle decoration. Neither the fabric nor the individual types are in the usual repertoire of Central Gaulish samian, but the connections are probably with Central Gaul rather than East Gaul. Presumably 2nd century, but not necessarily very late in the century.

From Ditch A, south section, black layer associated with east stoke-hole.

*b.* Form 37, Trier ware. The dog is Fölzer 642,<sup>19</sup> the straight wreath below the decoration is Fölzer 904, and the ovolo is probably Fölzer 958. The general composition recalls such bowls as Fölzer,

<sup>18</sup> F. Fremersdorf, *Saalburg Jahrbucher*, ix (1939), Taf. 11.

<sup>19</sup> E. Fölzer, *Bilderschüsseln der ostgallischen Sigillata-Manufakturen* (1913).

Taf. XXIII, No. 5, where the dog occurs with a similar fault in the impression of the hindermost leg.

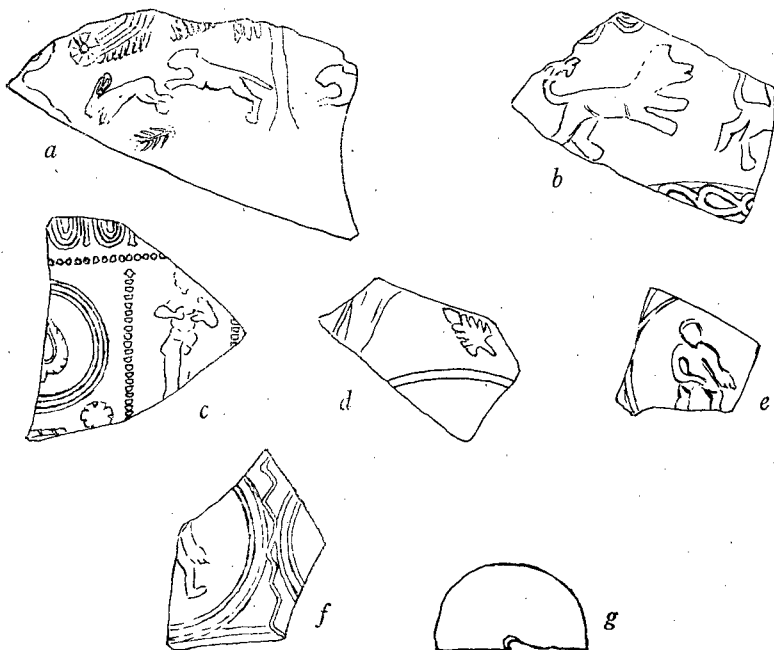


FIG. 39.—Decorated samian ( $\frac{1}{2}$ ).

More evidence is needed before these Trier products can be dated at all closely. Most of the bowls in this general class probably belong, however, to the last decade or two of the 2nd century and the early years of the 3rd century.

From rubble layer, upper fill of Ditch A, west section.

*c.* Form 30, Lezoux ware. This bowl is in the style of DOECCVS, who used all the elements of decoration. *c.* A.D. 160–190.

From rubble layer, upper fill of Ditch A, west section.

*d.* Form 37, East Gaulish, probably from Rheinzaubern. The leaf is Ludowici-Ricken VI P38,<sup>20</sup> used by several potters of the late 2nd and early 3rd century.

From rubble layer overlying Ditches A and B.

<sup>20</sup> Ludowici-Ricken VI = H. Ricken, *Die Bilderschüsseln der römischen Töpfer von Rheinzaubern*, Bonn (1963).

*e.* and *f.* Two fragments from the same form 30 from Rhein-zabern. The figure is Ludowici-Ricken M196 a/b, used by several potters, but likely here, in view of the tendril between the medallions, to point to PRIMITIVVS I (*cf.* Ludowici-Ricken VI Tafelband, Taf. 188 5 & 6; 189, 12 and 191, 12). Late-Antonine or early 3rd century.

From layer of greenish silt in Ditch A, south section and fill of Ditch A, west section.

*g.* Spindle-whorl cut from samian. Probably East Gaulish fabric.

From rubble layer, upper fill of Ditch A, west section.

*h.* A fragment from a large example of form 45 in East Gaulish fabric. Late 2nd or early 3rd century.

From Ditch A, south section, black layer associated with east stoke-hole.

*i.* Ludowici Tg rim, Central or East Gaulish. Late Antonine.

From Ditch A, south section, black layer associated with east stoke-hole.

*j.* Form 79, probably East Gaulish. Late 2nd or early 3rd century.

From bottom layer of west stoke-hole.

(*h.*, *i.*, *j.* not figured).

#### THE COARSE POTTERY (Figs. 40 and 41)

*a.* Black-burnished cooking pot, a reserved band on the shoulder with oblique lattice decoration; this type was discussed by Mr. Gillam in his report on the pottery from Mumrills. The sherd was examined by Dr. Peacock and stated by him to be Gillam's category 1.<sup>21</sup> *cf.* Gillam's Type 145. A.D. 270-340,<sup>22</sup> though Gillam himself, who also saw the sherd, preferred a 3rd century date.

From the primary silt of Ditch A, south section.

*b.* Black-burnished cooking pot similar to *a.* and also category

1. *cf.* Gillam Type 148. A.D. 290-370 and *Lydney*, Fig. 27, 38.

From bottom of Ditch A, west section.

*c.* Black-burnished cooking pot similar to *b.* and of the same date but stated by Dr. Peacock to be possibly category 2 but more probably a local imitation.

From rubble layer over east flue.

<sup>21</sup> J. P. Gillam in K. A. Steer, 'Mumrills Roman Fort', *Proc. Soc. Ant. Scot.*, xciv (1961).

<sup>22</sup> J. P. Gillam, 'Types of Roman Coarse Pottery Vessels', *Arch. Ael.*, xxxv (1957), p. 180.

*d.* Beaded flanged dish, grey core, polished black surface, slightly micaceous. Local imitation of black-burnished ware. A common type in the late 3rd and 4th century. *cf. Arbury Road,*<sup>23</sup> Fig. 6, 54 and *Homersfield,*<sup>24</sup> Fig. 30 g.

From fill of Ditch A, west section.

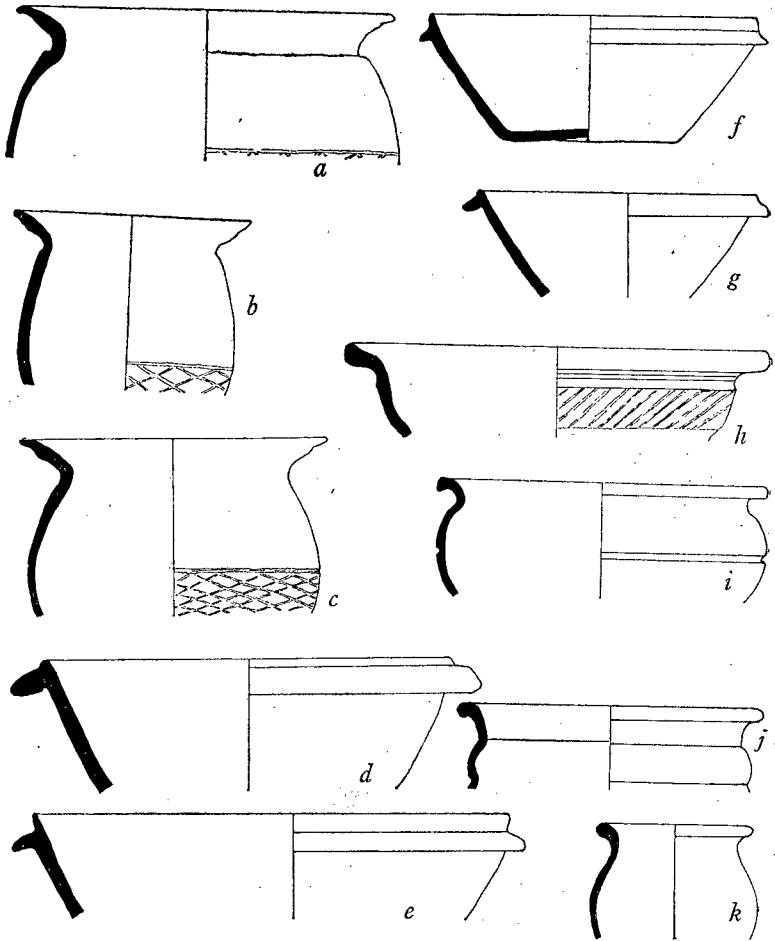


FIG. 40.—Coarse pottery (1).

<sup>23</sup> B. R. Hartley in W. H. C. Friend, 'Romano-British Settlement at Arbury Road', *Proc. Camb. Ant. Soc.*, XLVIII (1955), p. 10.

<sup>24</sup> N. Smedley and E. Owles, 'A Romano-British Pottery Kiln at Homersfield', *Proc. Suff. Inst. Arch.*, XXVIII (1960), p. 168.

*e.* Beaded flanged dish similar to *d.* in fabric and type but with thinner hooked flange.

From fill of Ditch A, west section.

*f.* Beaded flanged dish, grey fabric, black unburnished surface, thin walls and small flange.

From bottom of west stoke-hole.

*g.* Dish with slightly curved sides in gritty grey fabric, very slight bead above flange, probably an early version of *d.-f.*

From Ditch A, south section, layer above primary silt.

*h.* Bowl or dish in light grey fabric, slightly micaceous, decoration of oblique parallel lines. *cf.* *Arbury Road*, Fig. 6, 33, and *Runcton Holme*,<sup>25</sup> 21, dated tentatively by Mr. Hartley and Prof. Hawkes to the 2nd century.

From Ditch A, south section, the black layer associated with the east stoke-hole.

*i.* Wide-mouthed jar in brownish-grey micaceous fabric with brown flecks. Colchester 299,<sup>26</sup> A.D. 150-350.

From fill of Ditch B.

*j.* Wide-mouthed jar in light grey micaceous fabric, black surface. The shape is reminiscent of Belgic forms; it looks earlier than the bulk of material on the site. *cf.* *Godmanchester*,<sup>27</sup> Fig. 3, 12, late 1st/early 2nd century.

From the bottom of Ditch B.

*k.* Small plain jar in light grey fabric.

From Ditch A, south section, layer above primary silt.

*l.* Storage jar in micaceous fabric with brown flecks, cream outside, pink inside.

From rubble in upper layer of Ditch B.

*m.* Jar in brownish-grey fabric with diagonal slashed decoration on shoulder. *cf.* *Arbury Road*, Fig. 6, 37, 4th century. It resembles in fabric and general style the jars from the 3rd/4th century kiln at Homersfield, though on these the decoration was in the form of diagonal rustication.

From the fill of Ditch A, south section.

*n.* Jar in brownish-grey fabric with grooved shoulder.

From Ditch D.

*o.* Jar in grey, slightly micaceous, fabric, smoothed on neck, reserved band with lattice decoration.

From bottom of Ditch B, beside west bath.

<sup>25</sup> C. F. C. Hawkes, 'Runcton Holme', *P.P.S.E.A.*, vii (1933), p. 231.

<sup>26</sup> M. R. Hull, *Roman Colchester* (1958), p. 257.

<sup>27</sup> H. J. M. Green, 'Roman Godmanchester', *Proc. Camb. Ant. Soc.*, LII (1960), p. 8.

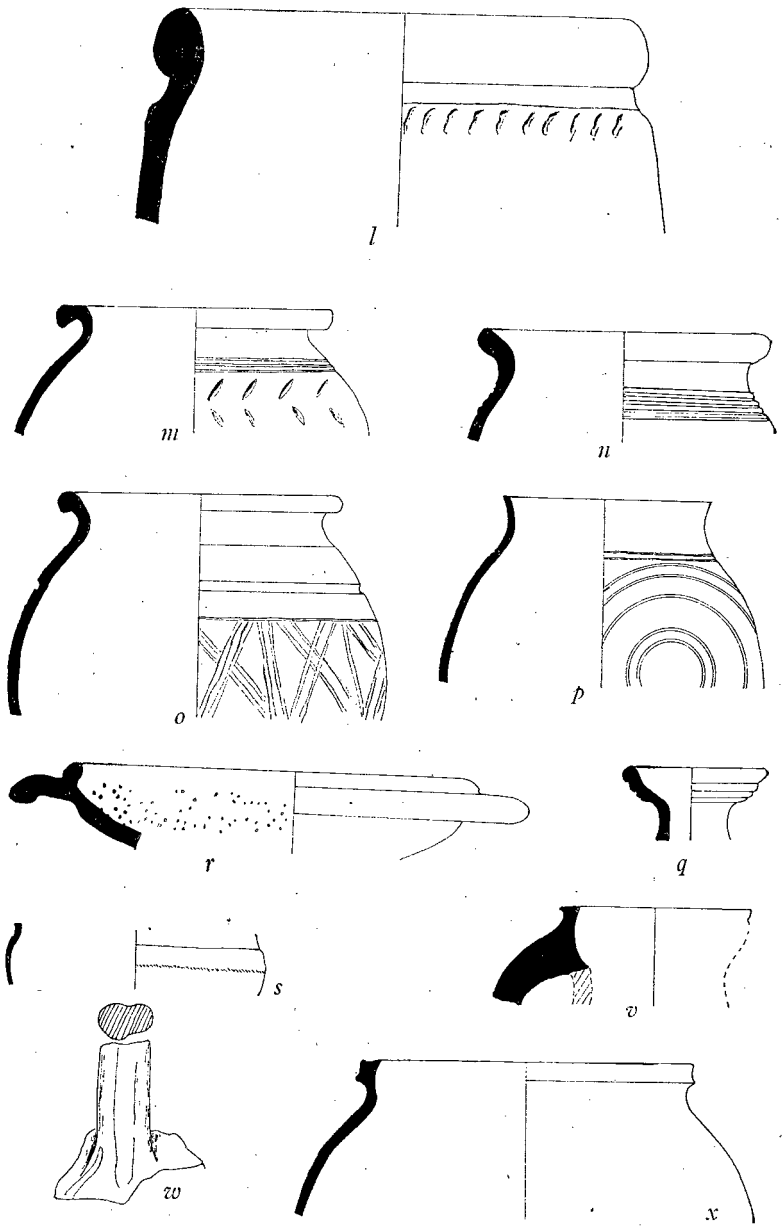


FIG. 41.—Coarse pottery (1).

*p.* Jar in light grey polished ware, decorated with incised concentric circles. *cf.* Colchester Type 408, 3rd and 4th centuries. The form resembles *Roman Colchester*, Fig. 111, 3, from the 4th century 'Mithraeum' though that vessel is considerably larger and is in white-painted red ware. The fabric of this specimen resembles that of poppy-head beakers usually attributed to the 2nd century, though eight examples were found in the 'Mithraeum'.

From Ditch D.

*q.* Cupped ring-neck flagon. *cf.* Colchester Type 156, described by Mr. Hull as common in Colchester from the early 2nd to the mid-4th century.

From the fill of Ditch B, beside west bath.

#### THE MORTARIUM (Fig. 41)

By MRS. K. F. HARTLEY, M.A.

*r.* A *mortarium* in slightly sandy greyish cream fabric with translucent brownish and whitish grit. The fabric, grit and form are typical of products of kilns at Cowley, Headington, Sandford, Dorchester and elsewhere in the Oxford region (*Oxoniensia*, I, pp. 81-102; VI, pp. 9-21; XVII/XVIII, pp. 225-226; *Archaeologia*, LXII pp. 225-242). The unstamped *mortaria* from here are notoriously difficult to date at all closely but this *mortarium* is most likely to be 3rd century. Generally similar examples have been published from the High Wycombe and Lullingstone villas (*Records of Bucks.*, XVI, pt. 4, p. 245, Fig. 9, no. 45, in a late 3rd, or 4th century deposit; *Archaeologia Cantiana*, LXVI, p. 31, Fig. 6, no. 136).

From layer above primary silt in Ditch A, south section.

#### THE COLOUR-COATED WARE (Fig. 41 and Plate XXXIX)

By B. R. HARTLEY, M.A., F.S.A.

*s.* A somewhat coarse Rhenish ware indented globular beaker (Gillam 52 approximately) or a close British imitation. This is unlikely to be earlier than A.D. 170, and is quite probably 3rd century.

From Ditch D.

*t.* Sherd of 'hunt-cup' with barbotine scroll and dog. Probably 3rd century.

From primary silt of Ditch A, south section.

*u.* Beaker with barbotine decoration. The plain-rimmed form (Gillam 80) with a scroll similar to Gillam 88. I think that a date in the first half of the 3rd century is certain. Probably from the Nene Valley.

From the bottom of Ditch B, below the first outfall pipe.